

## AHC3J series

## Digital Counter

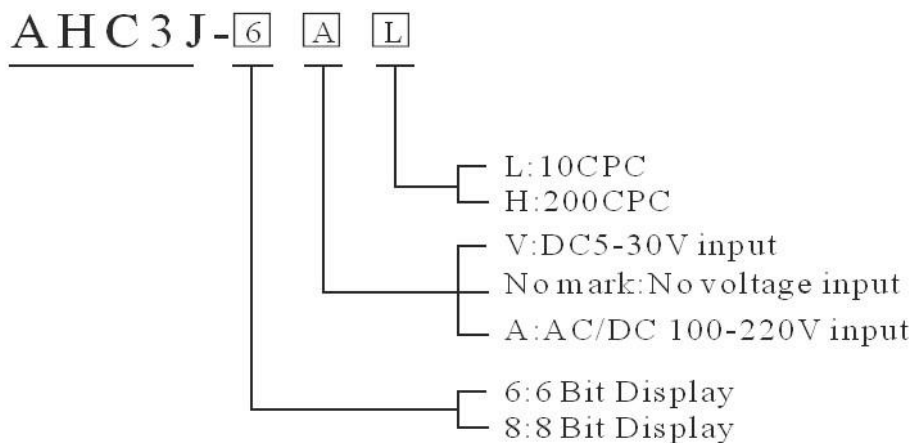


The AHC3J Digital Counter is suitable for recording the number of operations for mechanical equipment. Units have a variety of display digits to choose.

### Description

● Improved noise immunity.	● No mechanical wear, long life.
● 6 or 8-bit LCD display, the display is large and clear.	
● Built-in lithium battery, no external power supply.	
● Panel reset with a pin fixed to prevent misuse (6-bit).	
● Install all type: Front panel installation, DIN48mmX24mm standard panel size.	
● Scalable panel into 50mmX50mm.	
● Screw terminal	

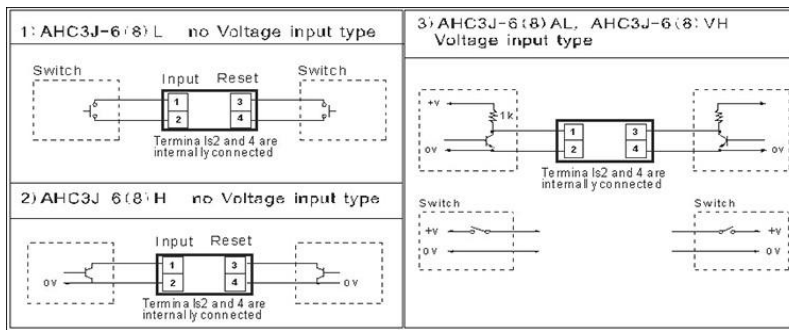
### Product selection



## Technical date

Supply volatge	Driven by built-in battery
Reset type	External reset and manual reset
No volatge input signal	Short-circuit impedance :10KΩ max
	Open impedance :500KΩ min
	Short-circuit residual voltage 0.5V max
Battery life	≥6 Years
Humidity	35%~85%RH
Opersting temperature	-10~50°C
Type of protection	IP 53
Ambient temperature	-10°C~+50°C
Reset signal	≥0.2S
Accuracy	0.02%

## Wiring diagram



## Scale drawings

